



54790 Grand River Avenue, New Hudson MI. 48165

Phone: 248-573-4934

www.icomnorthamerica.com

email: info@icomnorthamerica.com

The ICOM JTG® II Mono Fuel Propane Liquid Injection System is EPA Certified for the 2009 to 2020 Ford E350 / E450 Shuttles and Cutaway / Stripped Chassis.

The ICOM JTG® II Mono Fuel Propane Liquid Injection System is EPA Certified for the 2009 to 2020 Ford F550 / F600 Shuttles and Cutaway / Stripped Chassis



Go Green and Dramatically Reduce Fuel Costs!



EPA Certified

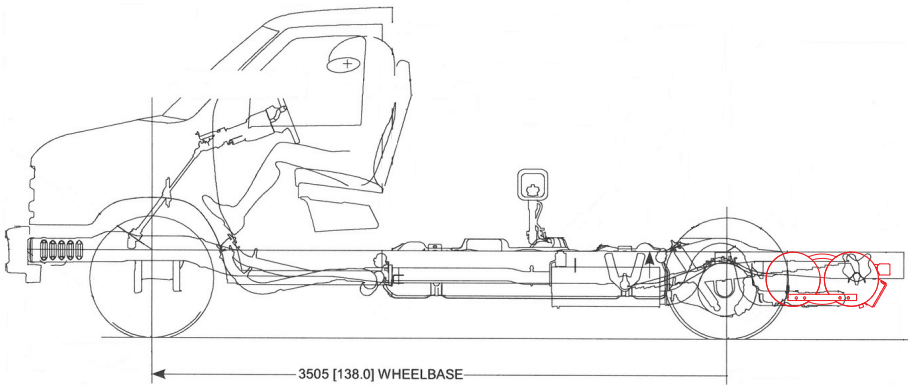
The patented ICOM JTG® II Propane Liquid Injection System is innovative and offers these advantages:

- Nationwide Installation and Service
- Equal power, torque and drivability of gasoline
- Cold climate reliability
- Reduces greenhouse gas emissions by up to 20%
- Dramatically reduced emissions
- Virtually no particulates
- Extended service intervals
- Vehicle warranty remains in effect



E350 & E450 Tank Options:

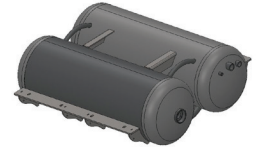
** For F550 & F600 tank options please contact ICOM*



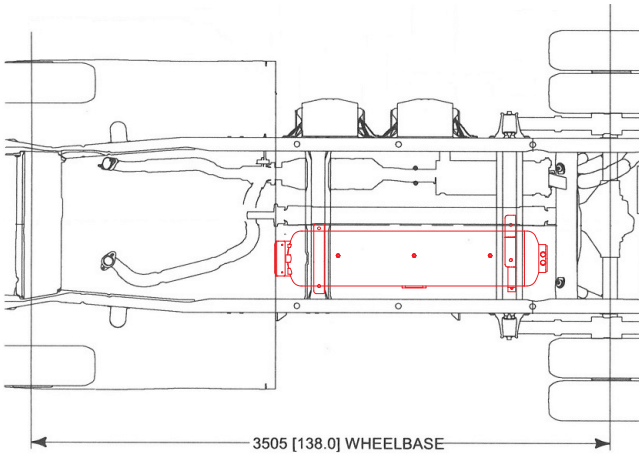
138" Wheelbase (Mid-Ship Gasoline Tank)



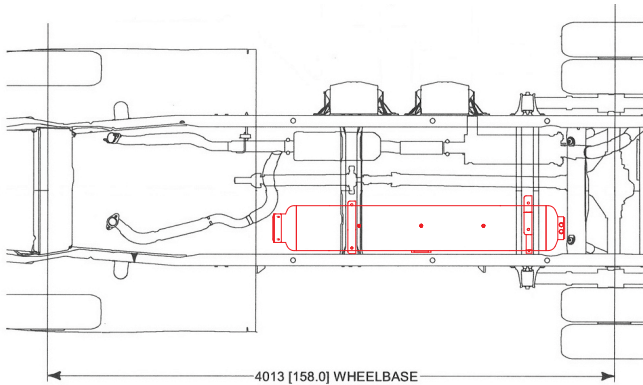
13 x 13 x 32 Under Vehicle
Fuel Tank - 25.5 USG



16 x 16 x 47 Under Vehicle
Fuel Tank - 57 USG

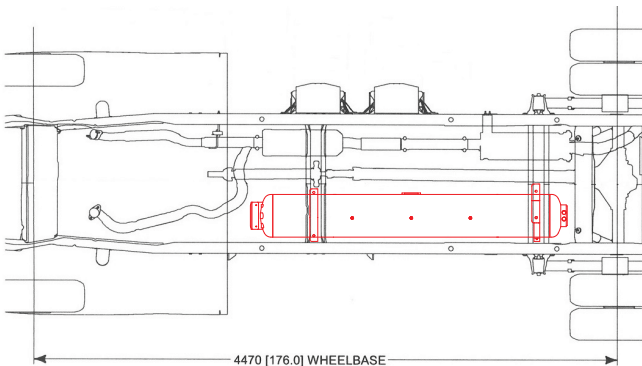
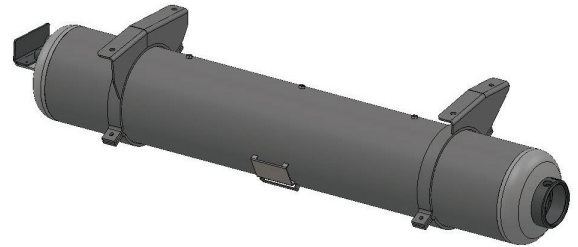


138" Wheelbase (Rear Mount Gasoline Tank)
13 x 60 Under Vehicle Fuel Tank - 25 USG

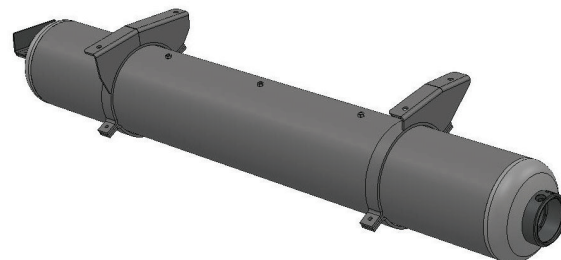


158" Wheelbase

13 x 80 Under Vehicle Fuel Tank - 33.5 USG



176" Wheelbase and Longer
13 x 92 Under Vehicle Fuel Tank - 38.5 USG



** Contact ICOM for special tank and
dual fuel tank applications*