

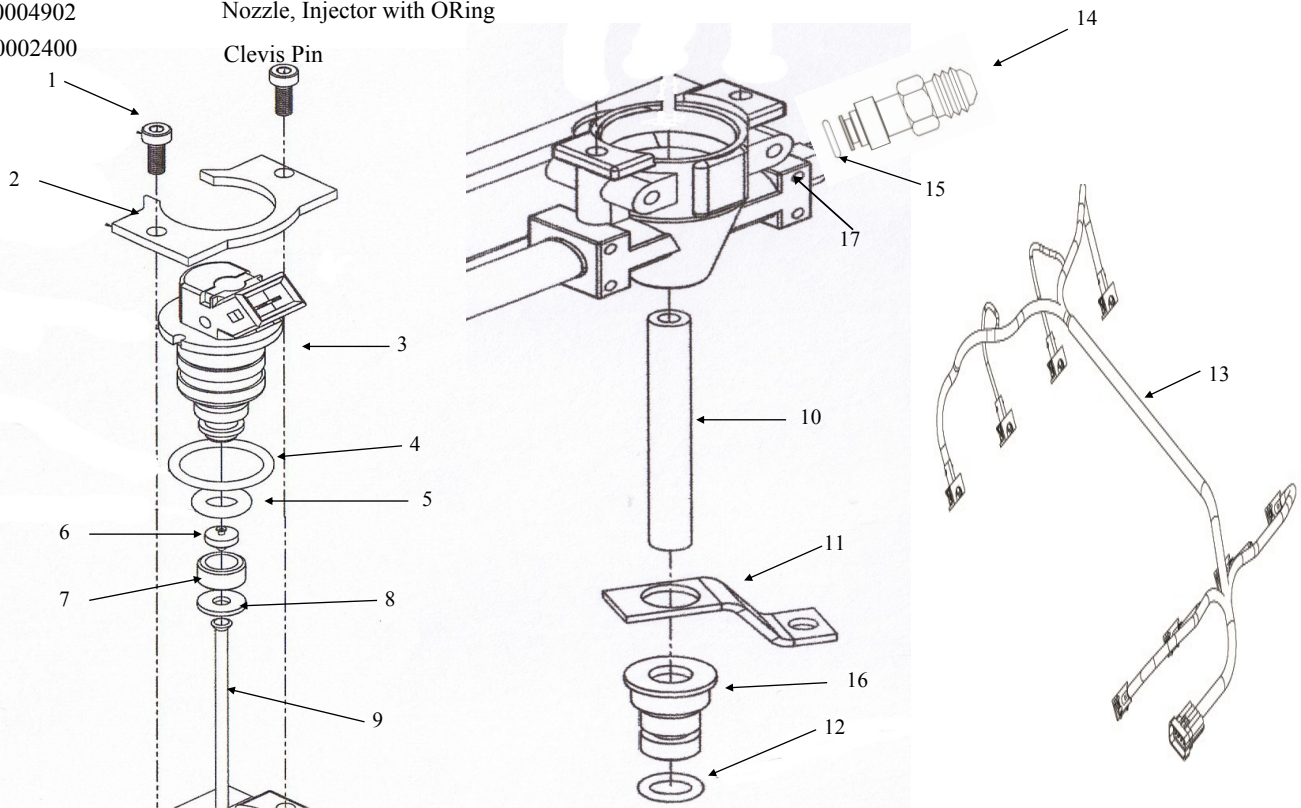
LPI 8.1L Parts Catalog

GM Medium Duty Truck Section



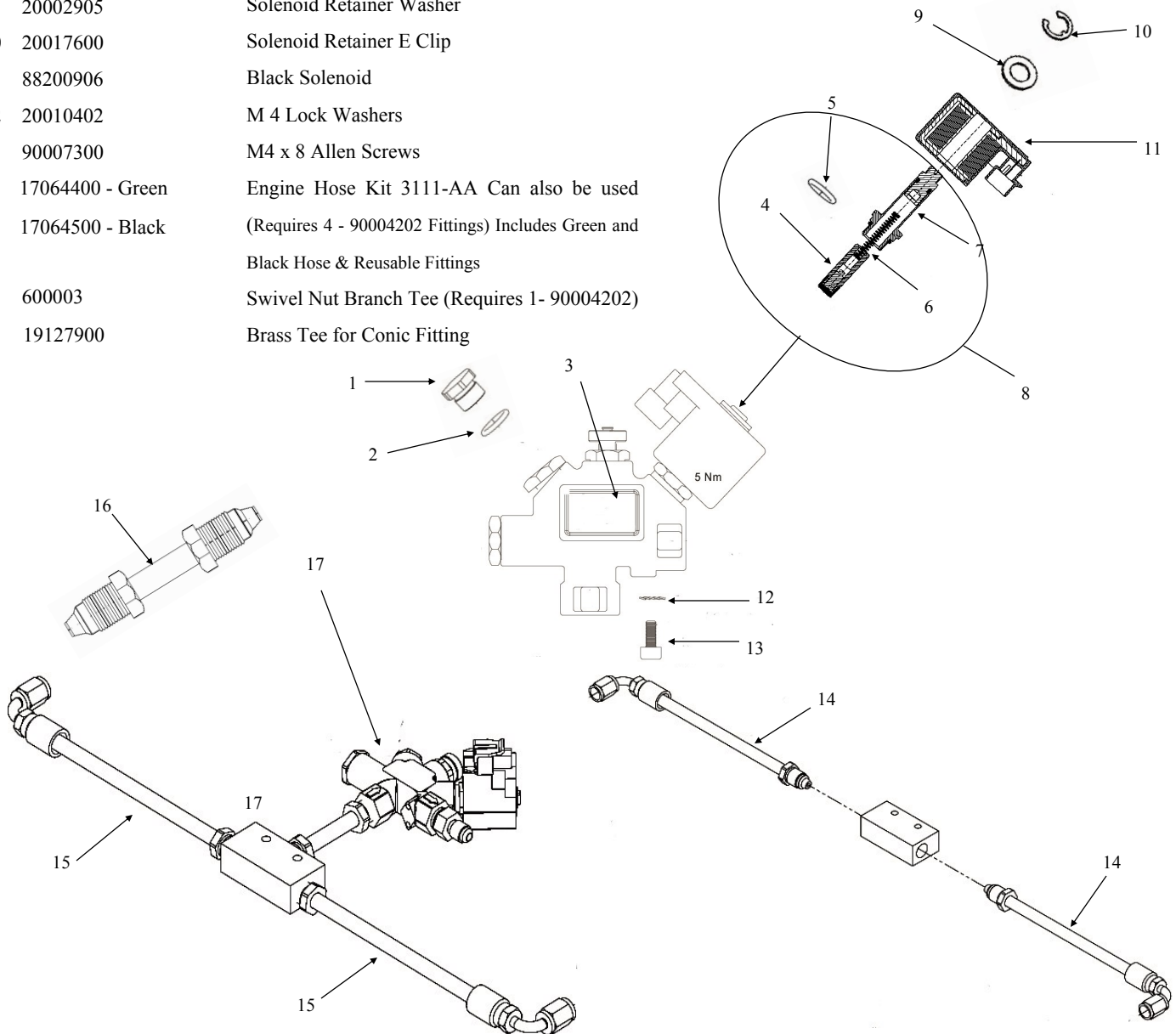
LPI Injector, Rail & Harness Components - 8.1L Medium Duty Truck

	A-17064100	Fuel Rail Kit - Includes 2 Assembled Fuel Rails
1	90007300	M4 x 07 x 12mm LG Allen Screws (Each)
2	90002500	Injector Hold Down Bracket
3	A-20033800	Single Injector Assembly
4	90005700	Upper Injector O-Ring (Yellow)
5	90005600	Lower Injector O-Ring
6	81301134	Injector Calibrator
7	19137800	Cup, Calibrator Holder
8	20015200	Calibrator Gasket
9	19127705	Capillary Tube,
10	20005606	Hose, Rubber Capillary Protector
11	27029100	Hold Down Bracket
12	20000156	Injector Tube O-Ring
13	72322103	Injector Harness
14	90004203	Injector Rail End Fitting, 7/16"
15	20000134	Rail End Fitting O-Ring
16	90004902	Nozzle, Injector with ORing
17	90002400	Clevis Pin



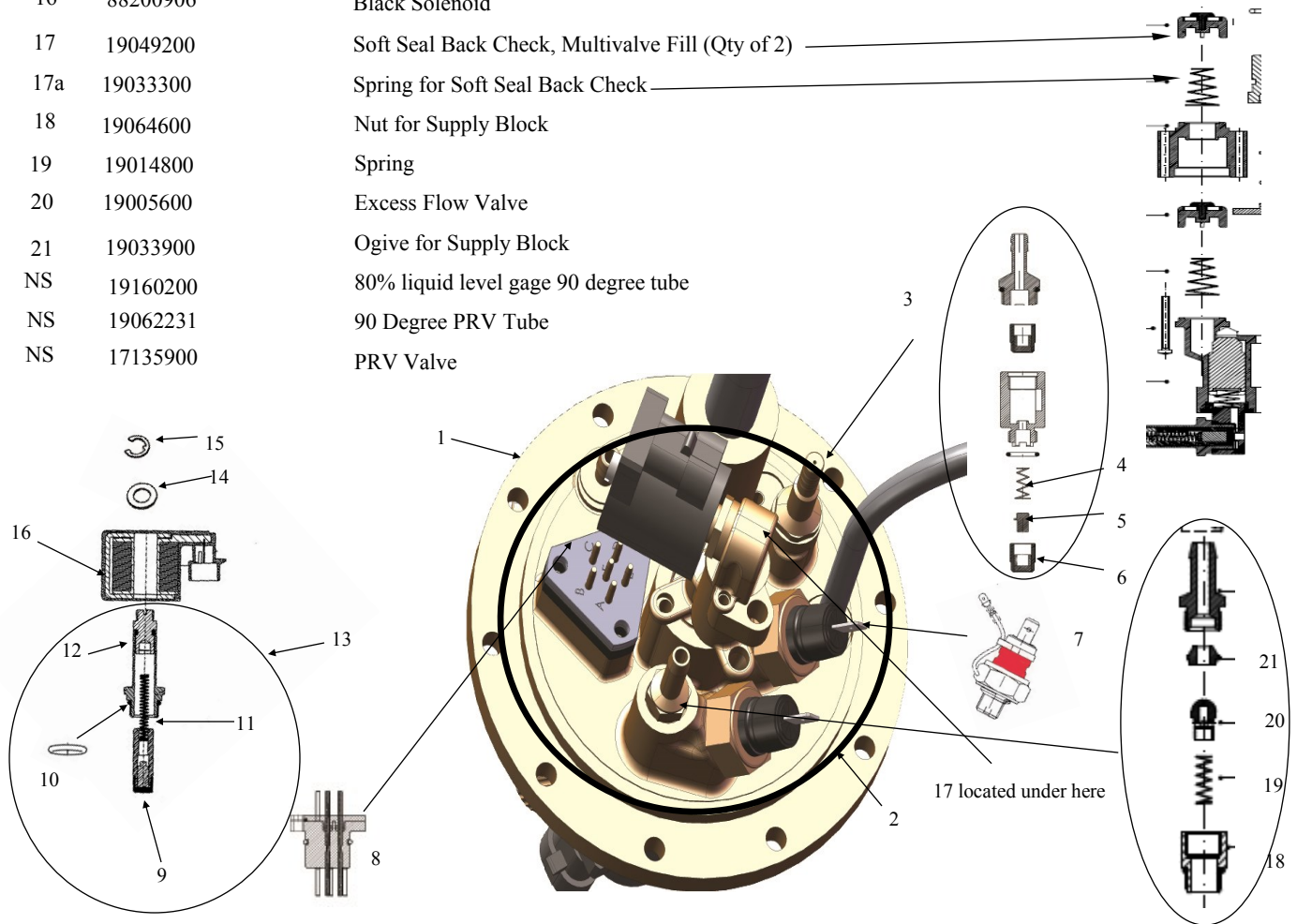
LPI Regulator, Tee and Hoses - 8.1L Medium Duty Truck

- 1 19119000 Regulator Test Port Plug
- 2 20000116 Regulator Test Port Plug O-Ring
- 3 84312005 Pressure Regulator with solenoid—Adjustable
- 4 19200100 Piloted Piston
- 5 20000116 Solenoid Post O-Ring
- 6 19013100 Solenoid Spring
- 7 19051600 Solenoid Operator Post
- 8 5909-AA Service Kit (includes 4, 5, 6 & 7)
- 9 20002905 Solenoid Retainer Washer
- 10 20017600 Solenoid Retainer E Clip
- 11 88200906 Black Solenoid
- 12 20010402 M 4 Lock Washers
- 13 90007300 M4 x 8 Allen Screws
- 14 17064400 - Green Engine Hose Kit 3111-AA Can also be used
- 15 17064500 - Black (Requires 4 - 90004202 Fittings) Includes Green and Black Hose & Reusable Fittings
- 16 600003 Swivel Nut Branch Tee (Requires 1- 90004202)
- 17 19127900 Brass Tee for Conic Fitting



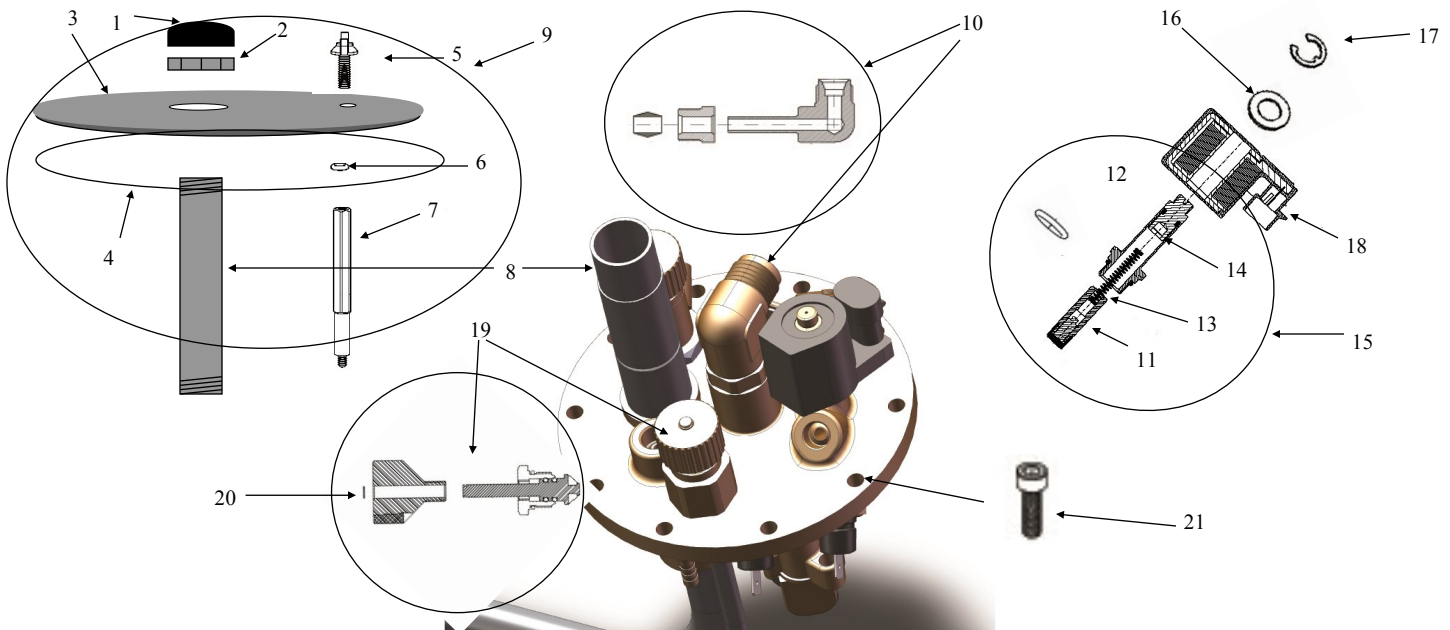
LPI Multi-Valve - 8.1L Medium Duty Truck

1	17063200	Multi-Valve Assembly (Multi-Valve assembly does not include solenoid and relief valve tube
2	90007202	Multi-Valve O-Ring
3	17098402	Double Back Check Valve W/O Spring
4	19049800	Spring Return, Check Valve
5	19174900	Brass Shuttle, Check Valve
6	17088400	Primary Return Check Valve
7	90008204	Red Pressure Switch (0.6BAR)
8	19170000	6 Pin Pass thru Internal Connector - 5 Pin 19126600 (screw for pass thru 900022)
9	19200100	Piloted Piston
10	20000116	Solenoid Post O-Ring
11	19013100	Solenoid Spring
12	19051600	Solenoid Piston Operator Post
13	5909-AA	Service Kit (Includes 6, 7, 8 & 9)
14	20002905	Solenoid Retainer Washer
15	20017600	Solenoid Retainer E Clip
16	88200906	Black Solenoid
17	19049200	Soft Seal Back Check, Multivalve Fill (Qty of 2)
17a	19033300	Spring for Soft Seal Back Check
18	19064600	Nut for Supply Block
19	19014800	Spring
20	19005600	Excess Flow Valve
21	19033900	Ogive for Supply Block
NS	19160200	80% liquid level gage 90 degree tube
NS	19062231	90 Degree PRV Tube
NS	17135900	PRV Valve



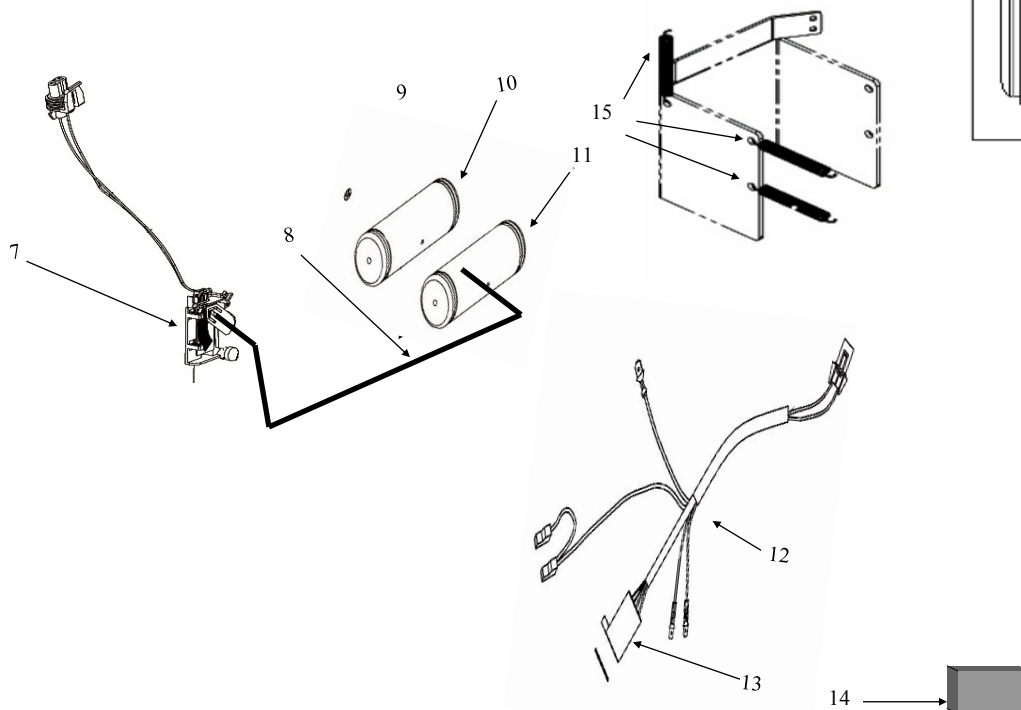
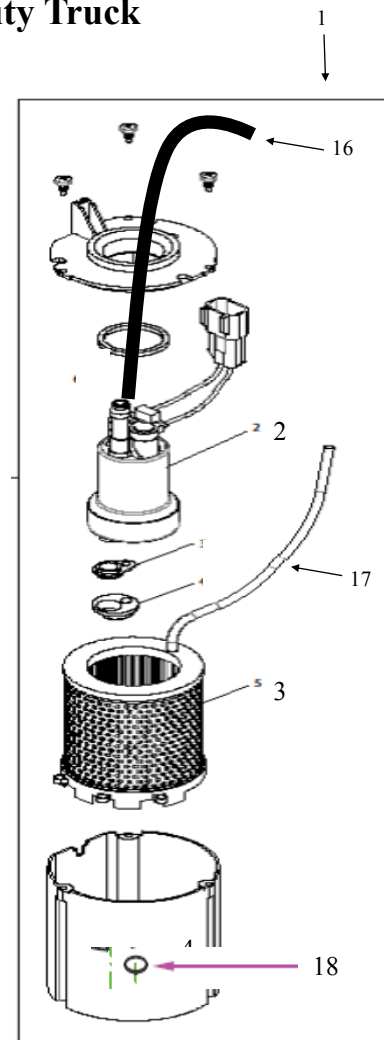
LPI Multi-Valve - 8.1L Medium Duty Truck (cont)

1	20021800	7/8" Inch Rubber Cap For Relief Valve Tube
2	19169600	Relief Valve Tube Nut M25 x 1.25 Brass Multi
3	27037900 (27034500 WO Small Hole)	Valve Cover
4	20000174	Multi Valve Cover O-Ring
5	20028700	Multi-Valve Cover Wing Nut Stud
6	20000132	Green O-Ring For Multi-Valve Cover Stud Brass
7	27040600	Multi-Valve Cover Stud
8	19307100	Brass Relief Valve Tube
9	A-17084400	Multi-Valve Cover Kit (includes 1-8 above) 90
10	17103200	Degree Fill Elbow W/Fittings
11	19200100	Piloted Piston
12	20000116	Solenoid Post O-Ring
13	19013100	Solenoid Spring
14	19051600	Solenoid Piston Operator Post
15	5909-AA	Solenoid Service Kit (Includes 11, 12, 13, 14)
16	20002905	Solenoid Retainer Washer
17	20017600	Solenoid Retainer E Clip
18	88200906	Black Solenoid
19	17082201	Manual Shut Off Valve Assembly Retainer E
20	20009100	Clip for Manual Shut Off Valve Multivalve
21	900002	Retaining Screws



LPI Internal Tank Components - 8.1L Medium Duty Truck

- 1 A-17102300 Fuel Pump Component Kit (Includes Pump, Filter, Housing & Supply & Return Hoses - Assembled)
- 2 F90000226 Fuel Pump
- 3 7103-BA Fuel Pump Filter
- 4 16027300 Fuel Pump Housing
- 5 17100800 TI Fuel Pump Installation Kit
- 6 4903-AA Rheostat Assembly
- 7 16015700 40-250 Ohm Rheostat
- 8 19127014 Fuel Gauge Float Arm
- 9 20001301 Float Retainer Clip
- 10 A-19162500 Outer Float
- 11 A-19061300 Inner Float
- 12 A-16015801 Internal Tank Harness (A-16018400 includes #13)
- 13 19122600 Internal 6 Pin Connector Body, Female
- 14 130000 Magnet—Rare Earth
- 15 19124900 Fuel Pump Retaining Springs
- 16 A-20005702 Supply Hose (Pump to Multivalve - Internal Tank)
- 17 A-19128401 Return Line (Pump to Multivalve - Internal Tank)
- 18 20016100 Membrane check valve



LPI System Upgrades - 8.1L Medium Duty Truck

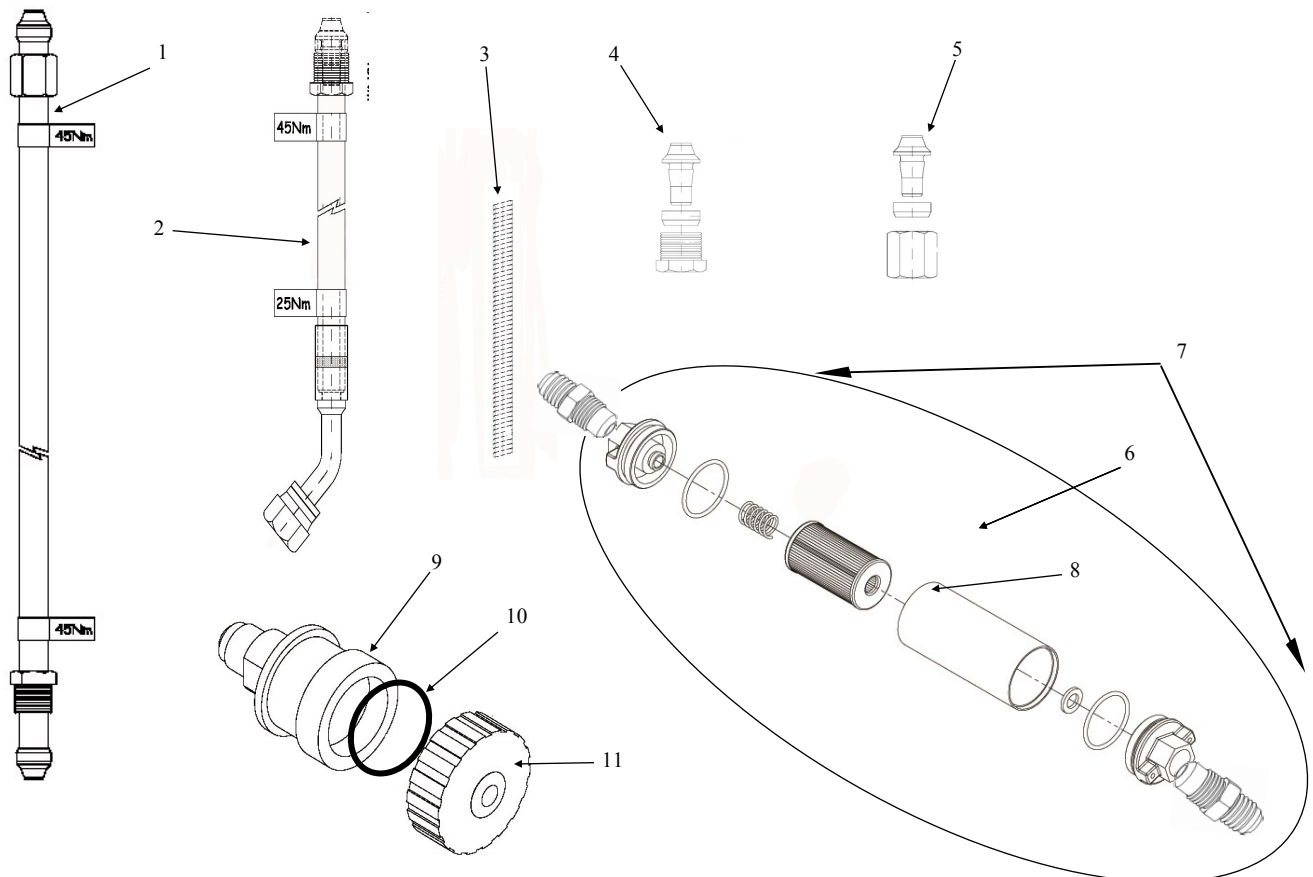
- | | | |
|---|---|---|
| 1 | AM-20X60 SM Tank + Accessories | Updated Fuel Tank. Complete with New Style Fuel Pump and Fill System. (Fuel Pump is replaceable without draining fuel tank) |
| 2 | 650008 OPD
390800, 390820 Fittings
92000204 MV Plug | Mechanical OPD Fill Valve - Replaces the Electronically Controlled System |

#1



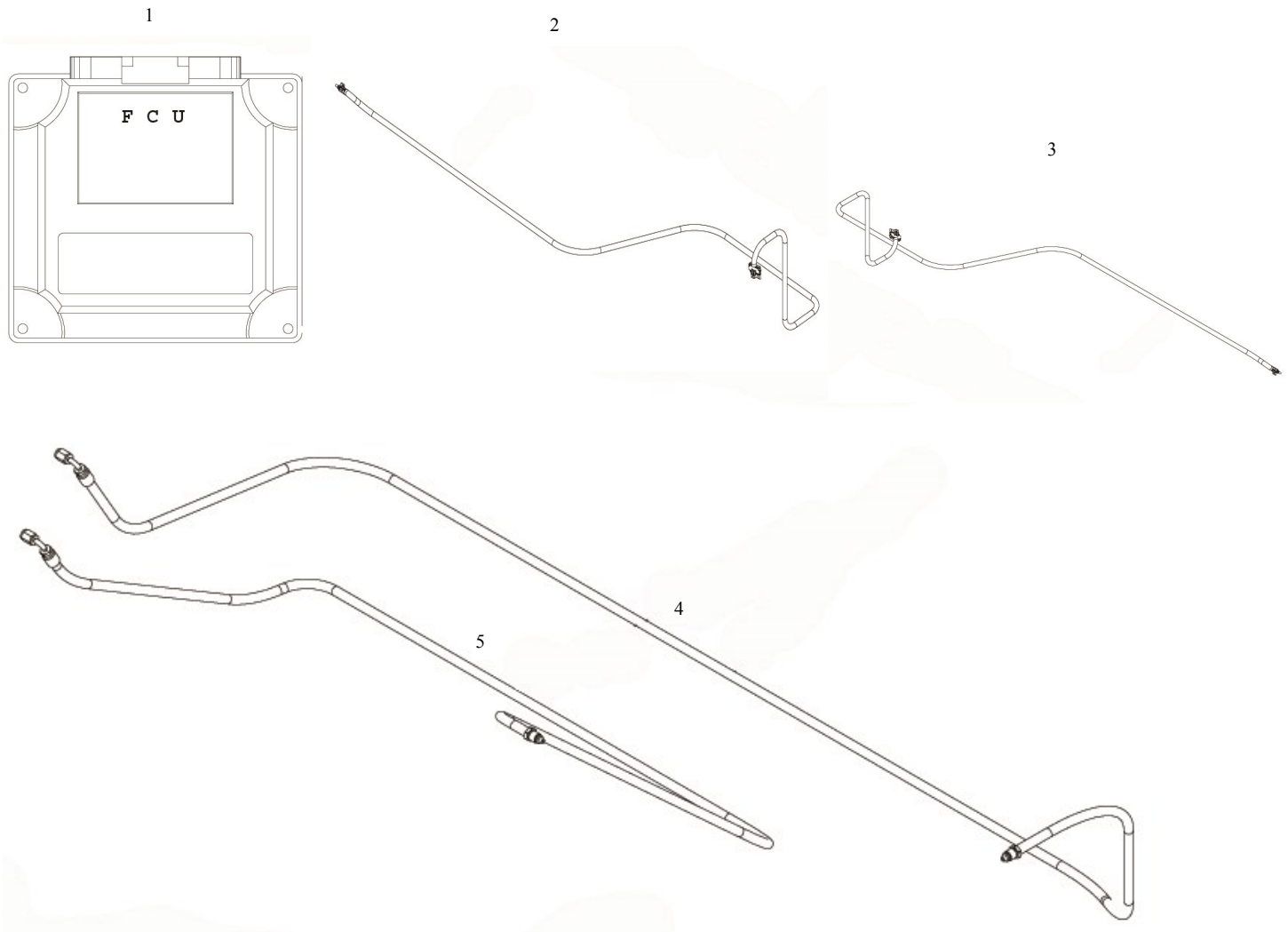
LPI External Tank Filler Components - 8.1L Medium Duty Truck

1	A-17100900	3/8" Filler Hose From Multi-Valve To Fill Filter
2	A-17101000	3/8" Filler Hose From Filter To Filler Valve
3	90003100	Internal Kink Protection For 3/8 Tubing
4	90001404	3/8" Male Conical Fitting
5	19135500	3/8" Female Dutch Flair Connector
6	A-17091000	Fill Fuel Filter Assembly with Female Fitting (for Conic fitting hoses)
7	A-17095000	Fill Fuel Filter Assembly with Housing and male fittings (use with 3111-AA) Hose Kit
8	90004500	Fill Fuel Filter Replacement - Element Only Acme Fill
9	650000	ACME Fill Valve (with nut and washer, cap and oring seal.
10	640002	Acme Fill Valve O-Ring
11	100003	Yellow Filler Cap



LPI FCU, Engine and Tank Harnesses & Supply - Return Hoses 8.1L Medium Duty Truck

- | | | |
|---|------------|---|
| 1 | 4139-AA | FCU Communicator Kit for 8.1 (Original 70305001 no longer available) |
| 2 | A-72322102 | Harness - FCU to Mid Vehicle |
| 3 | A-72322101 | Harness - Mid Vehicle to Multivalve |
| 4 | 3923-AA | Black Return Line 14' Includes a field attachable straight fitting and a 90004202 adapter |
| 5 | 3922-AA | Green Supply Line 16' Includes a field attachable straight fitting and a 90004202 adapter |



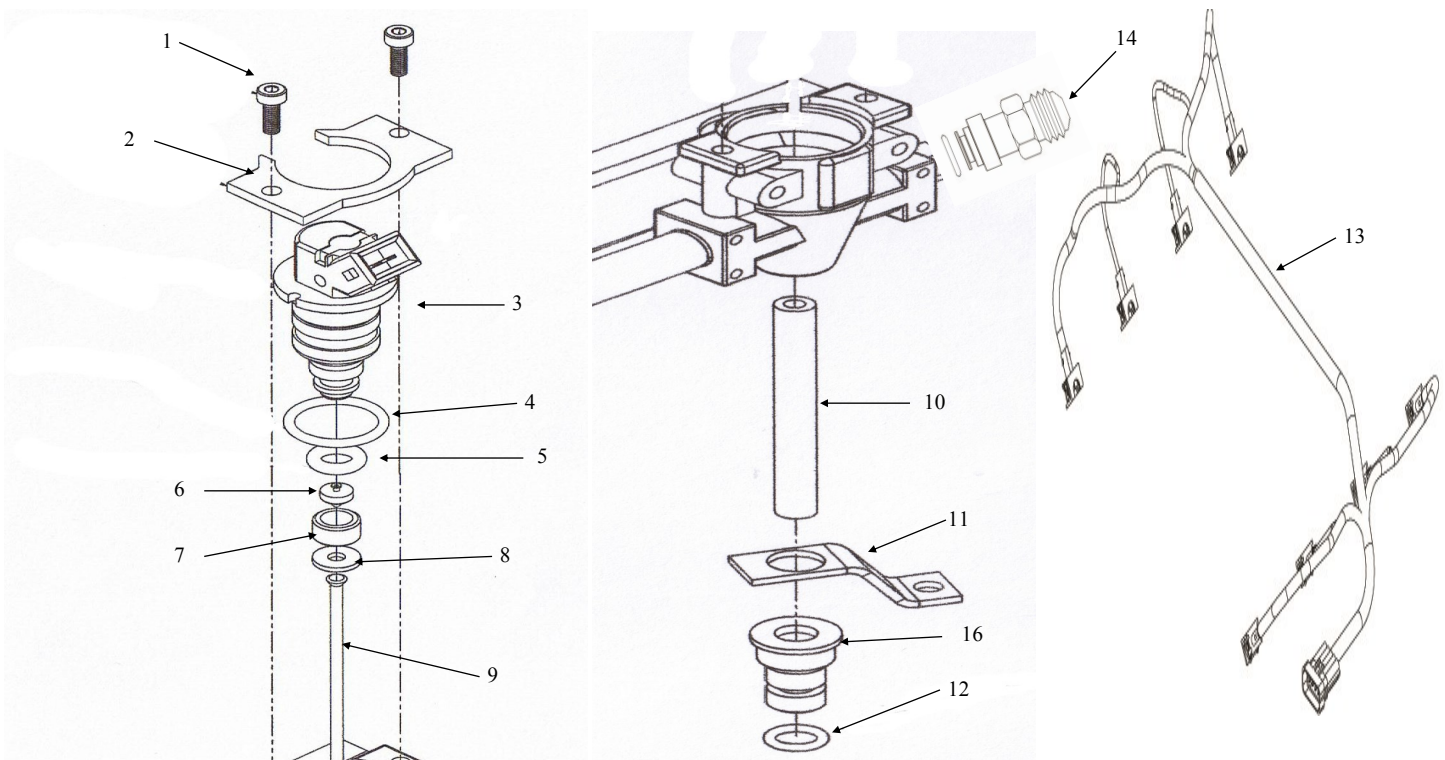
LPI 8.1L Parts Catalog

Bluebird Vision Section



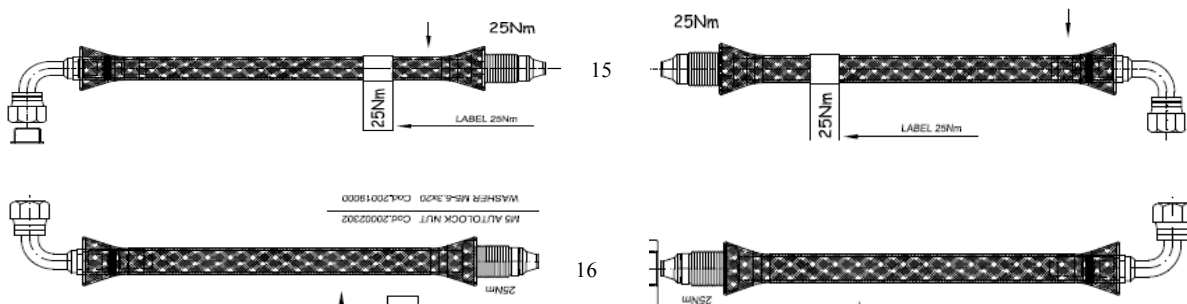
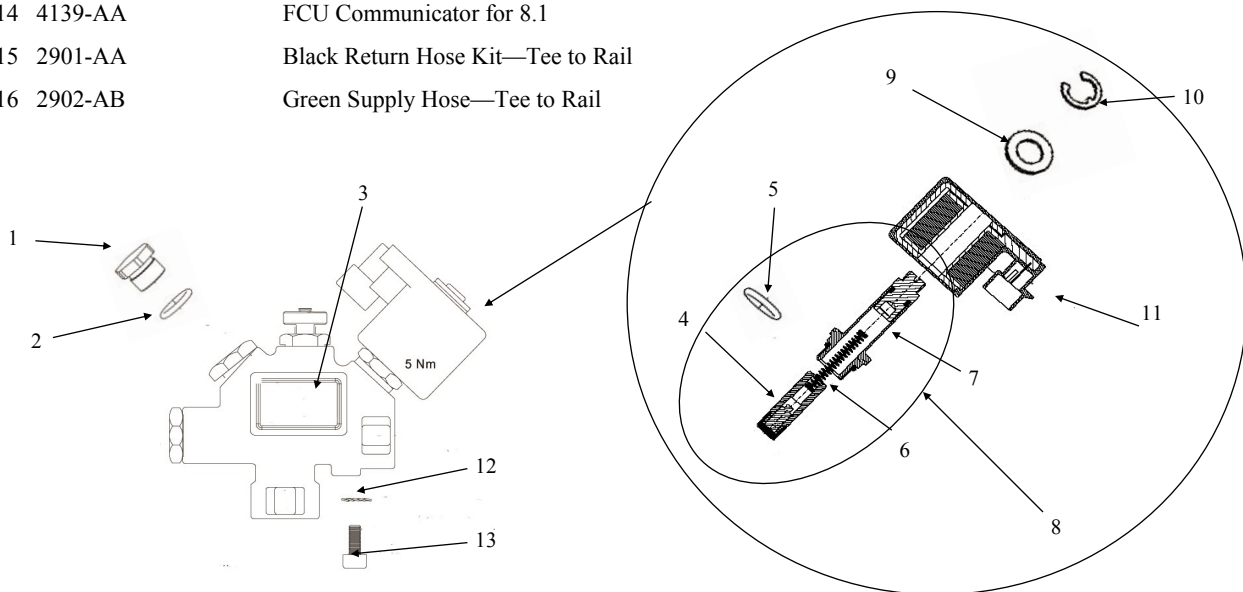
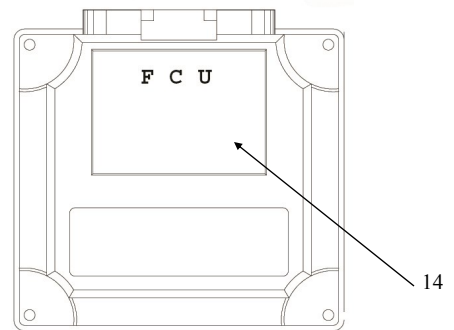
LPI Injector Assembly Components - 8.1L Blue Bird Vision Bus

1	90007300	M4 x 07 x 12mm LG Allen Screws (Each)
2	90002500	Injector Hold Down Bracket
3	A-20033800	Single Injector Assembly
4	90005700	Upper Injector O-Ring (Yellow)
5	90005600	Lower Injector O-Ring
6	81301134	Injector Calibrator
7	19137800	Cup, Calibrator Holder
8	20015200	Calibrator Gasket
9	19127705	Capillary Tube,
10	20005606	Hose, Rubber Capillary Protector
11	27029100	Hold Down Bracket
12	20000156	Injector Tube O-Ring
13	72322103	Injector Harness
14	90004203	Injector Rail End Fitting, 7/16"
15	20000134	Rail End Fitting O-Ring
16	19144500	Nozzle, Injector



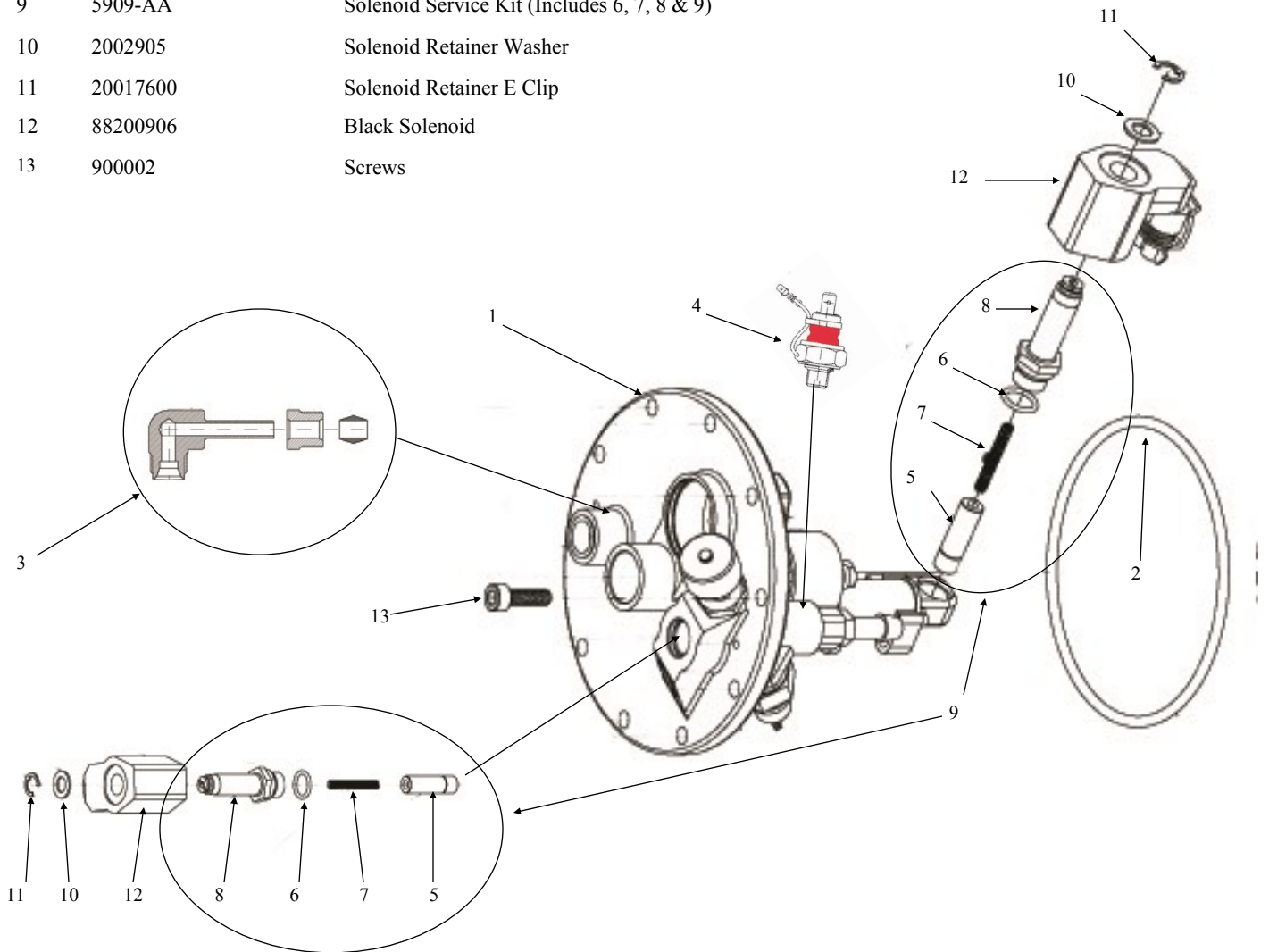
LPI Regulator Assembly & FCU 8.1L Blue Bird Vision Bus

- | | | |
|----|----------|---|
| 1 | 19119000 | Regulator Test Port Plug |
| 2 | 20000116 | Regulator Test Port Plug O-Ring |
| 3 | 84312005 | Pressure Regulator—Adjustable |
| 4 | 19200100 | Piloted Piston (New Version) |
| 5 | 20000116 | Solenoid Post O-Ring |
| 6 | 19013100 | Solenoid Spring |
| 7 | 19051600 | Solenoid Piston Operator Post |
| 8 | 5909-AA | Solenoid Service Kit (includes 4, 5, 6 & 7) |
| 9 | 20002905 | Solenoid Retainer Washer |
| 10 | 20017600 | Solenoid Retainer E Clip |
| 11 | 88200906 | Black Solenoid |
| 12 | 20010402 | M 4 Lock Washers |
| 13 | 90007300 | M4 x 8 Allen Screws |
| 14 | 4139-AA | FCU Communicator for 8.1 |
| 15 | 2901-AA | Black Return Hose Kit—Tee to Rail |
| 16 | 2902-AB | Green Supply Hose—Tee to Rail |



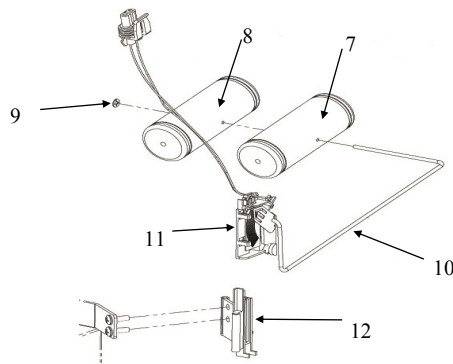
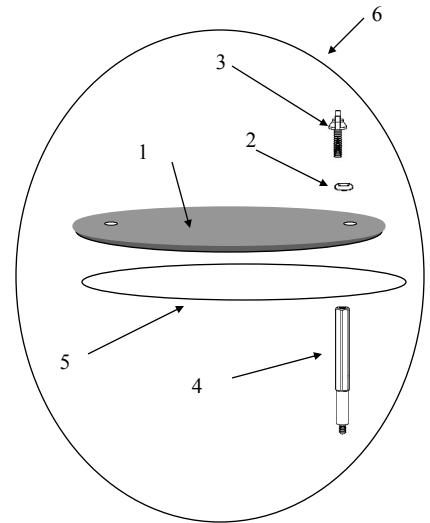
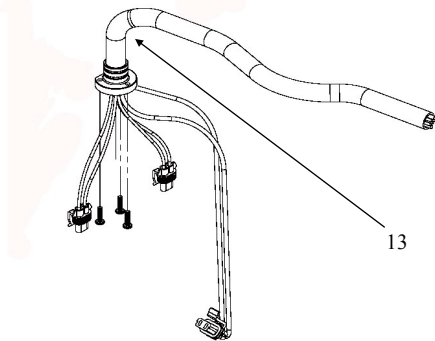
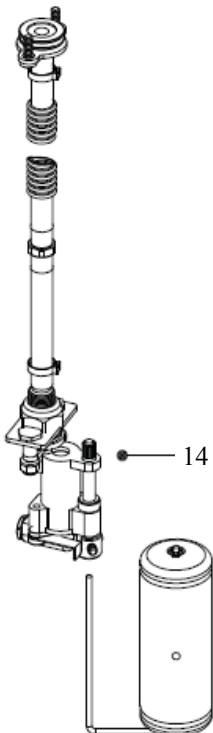
LPI Multi-Valve Assembly 8.1L Blue Bird Vision Bus

1	17089600	Multi-Valve Assembly (Multi-Valve assembly does not include the shut off solenoids)
2	90007202	Multi-Valve O-Ring
3	17103200	90 Degree Fill Elbow W/Fittings
4	90008204	Red Pressure Switch (0.6BAR)
5	19200100	Piloted Piston (New Version)
6	20000116	Solenoid Post O-Ring
7	19013100	Solenoid Spring
8	19051600	Solenoid Piston Operator Post
9	5909-AA	Solenoid Service Kit (Includes 6, 7, 8 & 9)
10	2002905	Solenoid Retainer Washer
11	20017600	Solenoid Retainer E Clip
12	88200906	Black Solenoid
13	900002	Screws



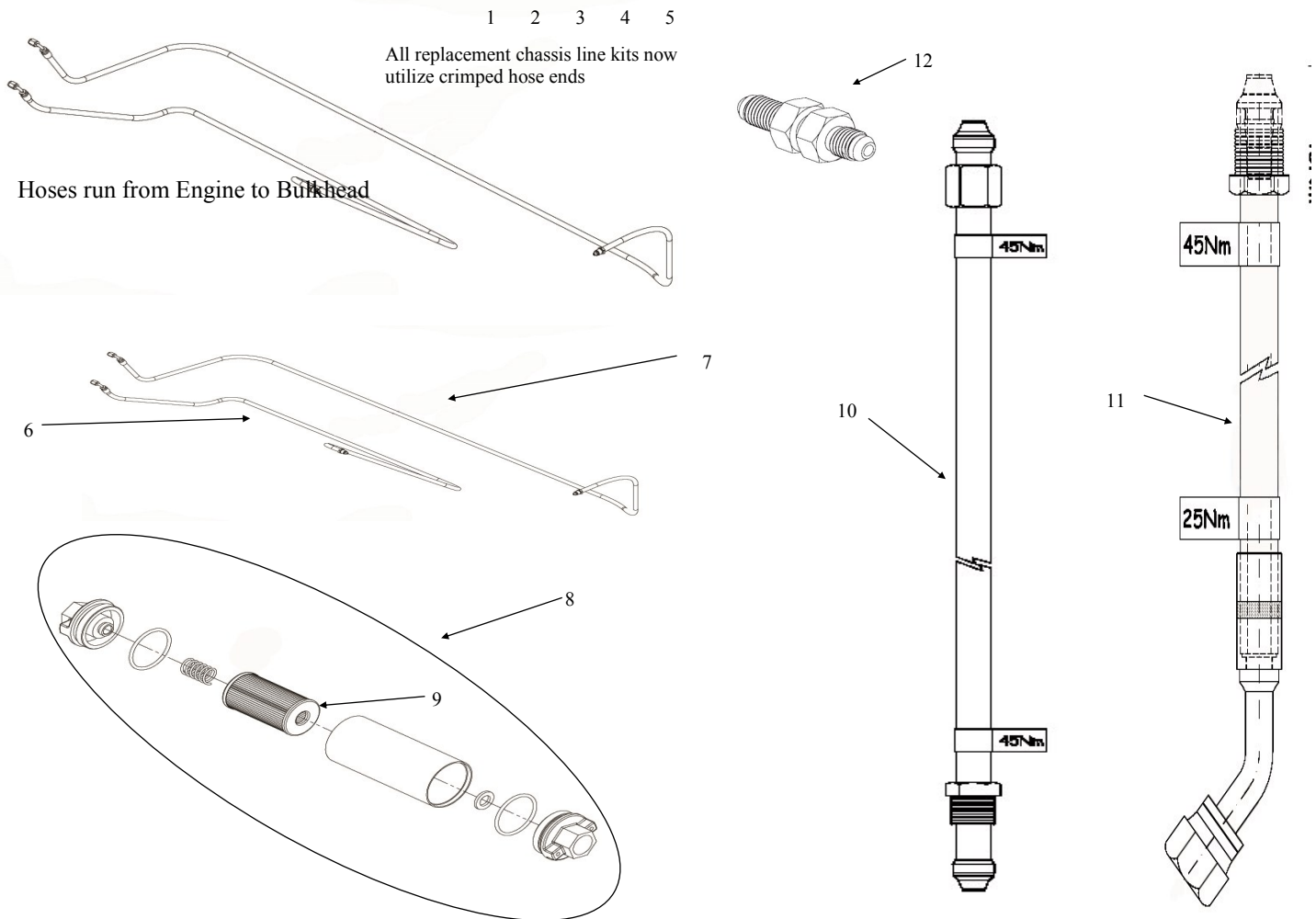
LPI Misc. Tank Components - 8.1L Blue Bird Vision Bus

1	27041900	Multi-Valve Cover
2	20000132	Green O-Ring For Multi-Valve Cover Stud
3	20028700	Multi-Valve Cover Wing Nut Stud
4	27040600	Brass Multi-Valve Cover Stud
5	20000174	Multi-Valve Cover O-Ring
6	A-17104200	Multi-Valve Cover Kit (Includes 1-5)
7	19061300	Inner Float
8	19162500	Outer Float
9	20001301	Float Retainer Clip
10	19127012	Float Arm
11	4902-AC	0-90 Rheostat (includes 7-11)
12	19147700	Rheostat Backing Plate
13	9S277-AB	Pass Through Electrical Harness
14	9905-BA	Blue Bird Mechanical 80% Fill Kit (Replaces Liquid 80% Sensor)



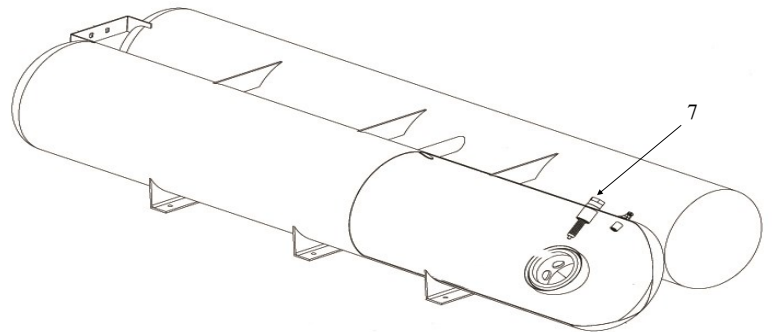
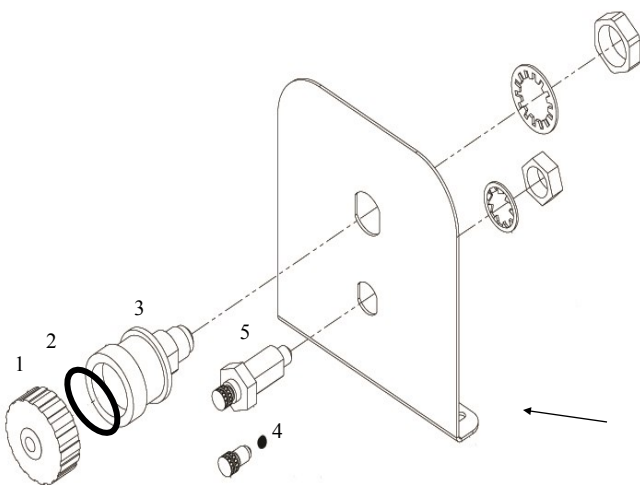
LPI Hose & Filter Assemblies 8.1L Blue Bird Vision Bus

1		189 inch WB Chassis Line Hose Kit
2	ICOM-P11C-3905-AB	217 inch WB Chassis Line Hose Kit
3		238 inch WB Chassis Line Hose Kit
4		252 inch WB Chassis Line Hose Kit
5	ICOM-P11C-3908-AB	273 inch WB Chassis Line Hose Kit
6	A-17089800	Green Supply Hose, Multivalve to Bulkhead
7	A-17089900	Black Return Hose, Multivalve to Bulkhead
8	A-17091000	Fill Fuel Filter Assembly with Housing
9	90004500	Fill Fuel Filter Replacement - Element Only
10	A-17097200	Blue Filler Hose (From Multi-Valve to Filter)
11	A-17097500	Blue Filler Hose (From Fill Valve to Filter)
12	A-17104000 - 2 in kit	Bulkhead Fitting for Supply and Return Hoses



LPI Remote Fill Components 8.1L Blue Bird Vision Bus

1	100003	Replacement Yellow Service Cap 1-3/4" Fill Valve
2	640002	Sherwood Fill Valve O-Ring
3	650000	Sherwood Remote Fill Valve (includes service cap)
4	20030600	Rubber Seal for Bleeder
5	A-17098600	Remote Bleeder Valve Assembly
6	650005	Pressure Relief Valve



LPI 8.1L Service Tools

- | | | |
|---|---------------|--------------------------------------|
| 1 | P16X4-9906-AA | ICOM “Prime” Propane Evacuation Pump |
| 2 | BA 9503-BF | ICOM Tool Kit with Carrying Case |



ICOM SYSTEM TOOL KIT CONTENTS (P13X4-9503-BC)



- A - 3/16" HOSE ASSEMBLY VISE (HAND HELD) (BLACK RETURN HOSE)
- B - 1/4" HOSE ASSEMBLY VISE (HAND HELD) (GREEN SUPPLY HOSE)
- C - 3/8" HOSE ASSEMBLY VISE (HAND HELD) (BLUE FILL HOSE)
- D - PRESSURE GAUGE EXTENSION HOSE
- E - CALIBRATOR REMOVAL TOOL
- F - HOSE CUTTER (FIBERGLASS BRAIDED HOSE)
- G - DIAGNOSTIC CABLE
- H - PRESSURE GAUGE
- I - HOSE CUTTER (STAINLESS STEEL BRAIDED HOSE)